

# Upgrade from Black & White CRT to Color LCD Monitor

WDRV-7041M



- Weatherproof high resolution 7" TFT LCD monitor
- 3 view color monitoring system
- 1 camera inputs
- Wide range input voltage (DC12V ~ 32V)
- Selectable mirror image mode
- Anti-Glare / anti-scratch protective lens and sunshield (option)
- OSD for AV source (Color, brightness, contrast, tint & volume control)
- Dual compatibility for NTSC/PAL video signals
- Integrated audio speaker
- Dot map display
- Auto scan function
- Auto power on

## SPECIFICATION

### Screen size

7.0" (Diagonal)

### Display resolution

800(W) x 480(H)

### Contrast ratio

500:1

### Brightness

Max 350cd/m<sup>2</sup>

### Dot pitch (mm)

0.045(W) x 0.135(H)

### Active area (mm)

108.0(W) x 64.8(H)

### Viewing angle

Left 70° / Right 70° / Up 50° / Down 70°

### Dimensions (Inch)

5.9"(W) x 4.9"(H)x1.3"(D)

### Color system

NTSC / PAL

### Video output

1Vp-p (75 ohm impedance)

### Connectors

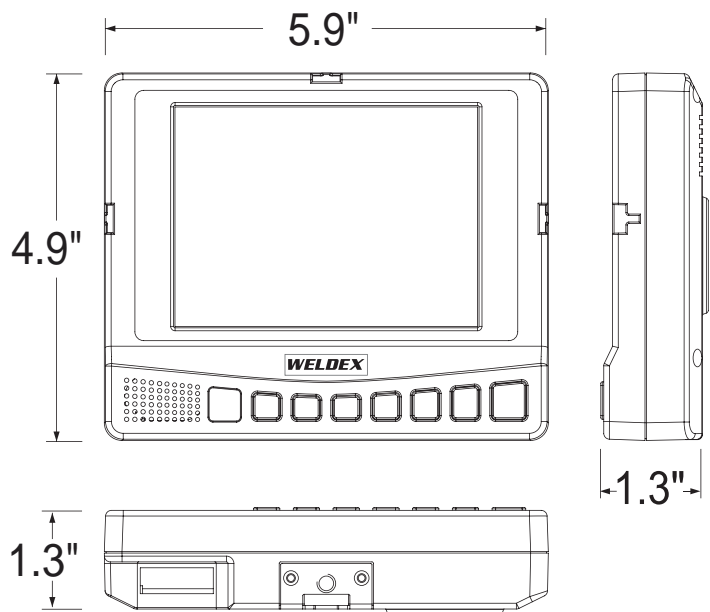
Locking cable & lead wire

### Power consumption

DC12 ~ 32volt, max 7.2W

### Operating temperature

-20°C ~ +70°C (-4°F ~ +158°F)



[7 Inch Series]